

# PROJECT INFORMATION

**APPLICANT:**  
THOMAS THOMPSON

**DRAWINGS BY:**  
ECCO DESIGN INC.  
7413 GREENWOOD AVE N  
SEATTLE, WA 98103  
206-706-3937

**SITE ADDRESS:**  
9206 SE 33RD PLACE  
MERCER ISLAND, WA 98040

**PARCEL NUMBER:**  
413930-0310

**BODY OF WATER:**  
LAKE WASHINGTON

**LEGAL DESCRIPTION:**  
LAKEMONT ADD UNREC & SH LDS ADJ  
PLAT LOT: 56

**PROJECT DESCRIPTION:**  
REPAIR AND EXISTING PIER BY SLEEVING  
TWENTY ONE WOOD PILES, RE-FRAMING, AND  
RE-DECKING WITH GRATED DECKING.

# VICINITY MAP



## REFERENCE:

**DATUM:** C.O.E. Locks Datum

## ADJACENT PROPERTY OWNERS:

1. PNBK Family Trust
2. Victor and Eunice Michalak

**APPLICANT:** Thomas Thompson

**LOCATION:** 9206 SE 33rd Place  
Mercer Island WA 98040

**LAT/LONG:** 47.58252°/-122.21389°

## PROPOSED PROJECT:

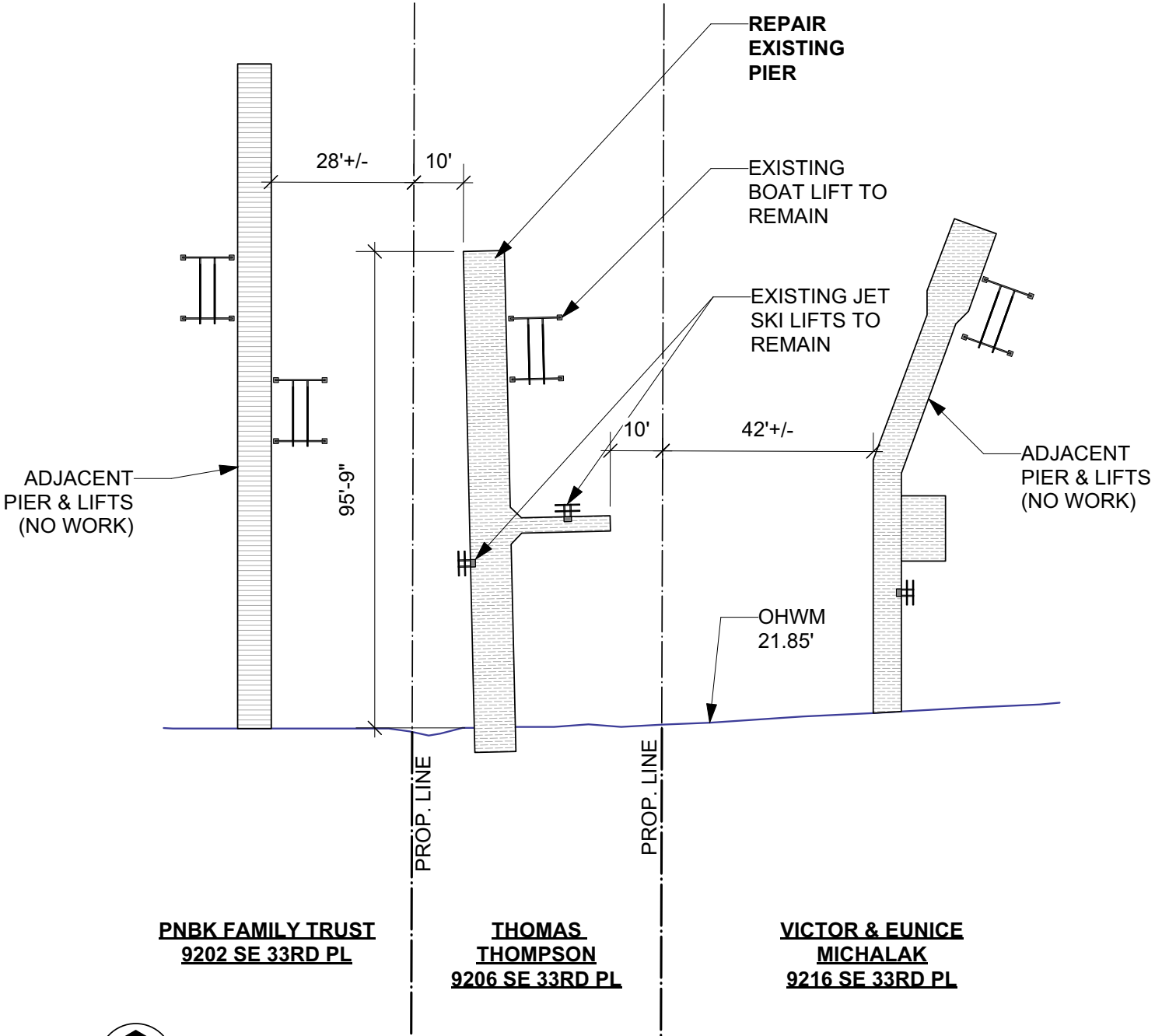
Repair Pier  
**IN:** Lake Washington  
**NEAR/AT:** Mercer Island  
**COUNTY:** King **STATE:** WA

**SHEET** 1 of 6

**DATE:** December 5, 2024

PLEASE NOTE THAT THE SHORELINE CONFIGURATION AND PROPERTY LINE LOCATIONS ARE APPROXIMATE ONLY. PROPERTY LINES WERE NOT SURVEYED.

**LAKE WASHINGTON**



**PNBK FAMILY TRUST**  
**9202 SE 33RD PL**

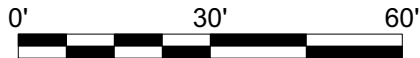
**THOMAS THOMPSON**  
**9206 SE 33RD PL**

**VICTOR & EUNICE MICHALAK**  
**9216 SE 33RD PL**



**SITE PLAN**

SCALE 1" = 30'-0"

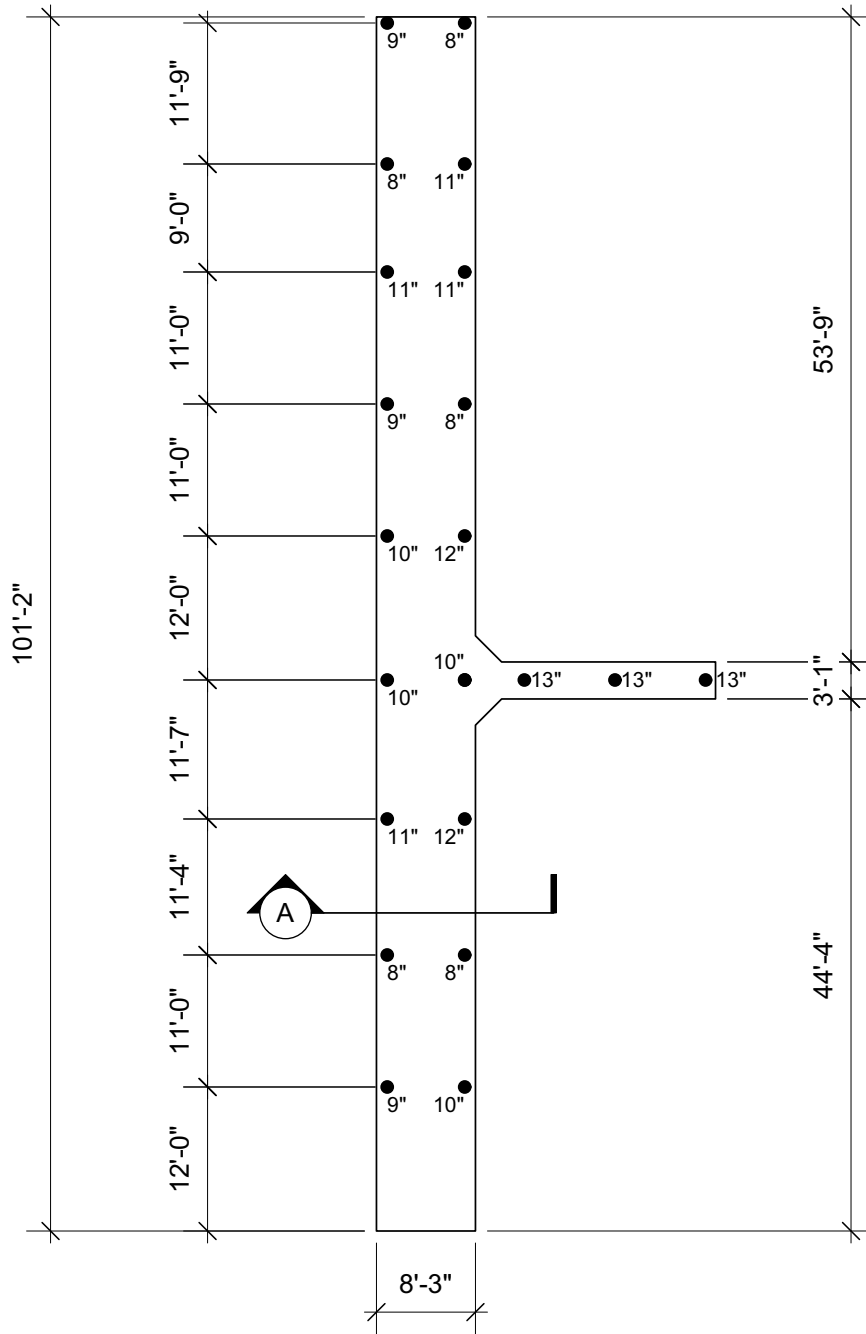


**Reference:**  
**Applicant:** Thomas Thompson

**Proposed:** Repair Pier  
**Location:** Mercer Island, WA

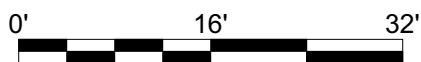
# LEGEND

- WOOD PILE TO BE SLEEVED  
(21 TOTAL)



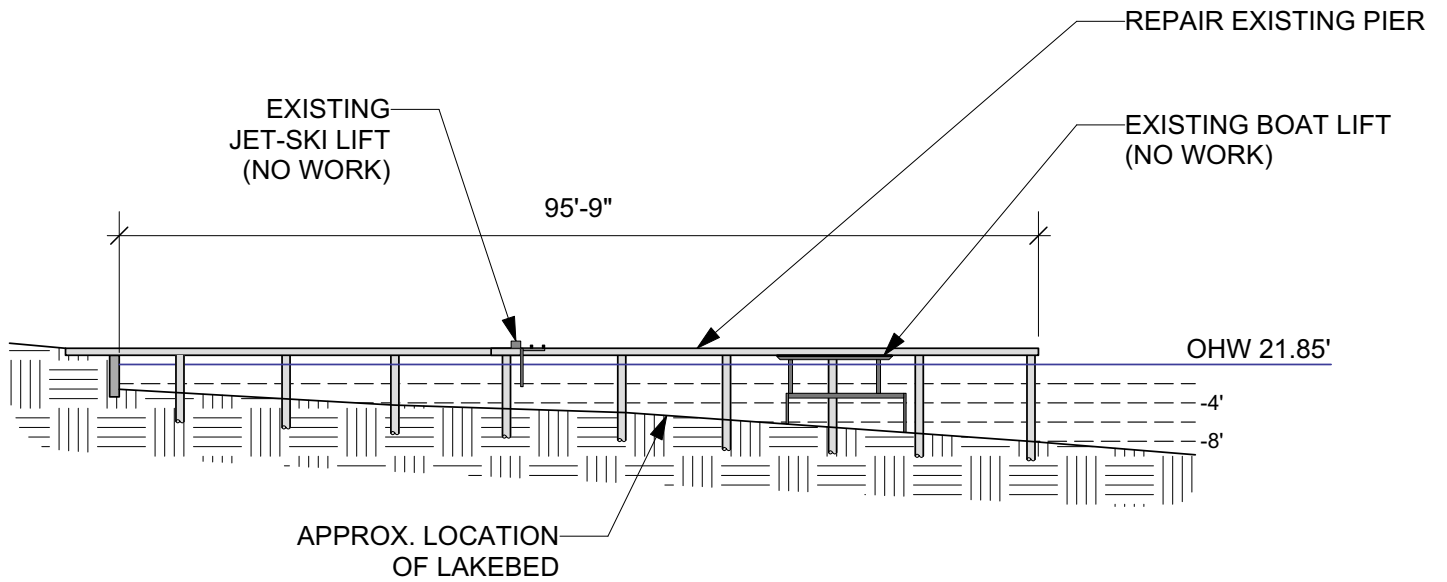
## PILE REPAIR PLAN

SCALE 1/16" = 1'-0"



Reference:  
Applicant: Thomas Thompson

Proposed: Repair Pier  
Location: Mercer Island, WA



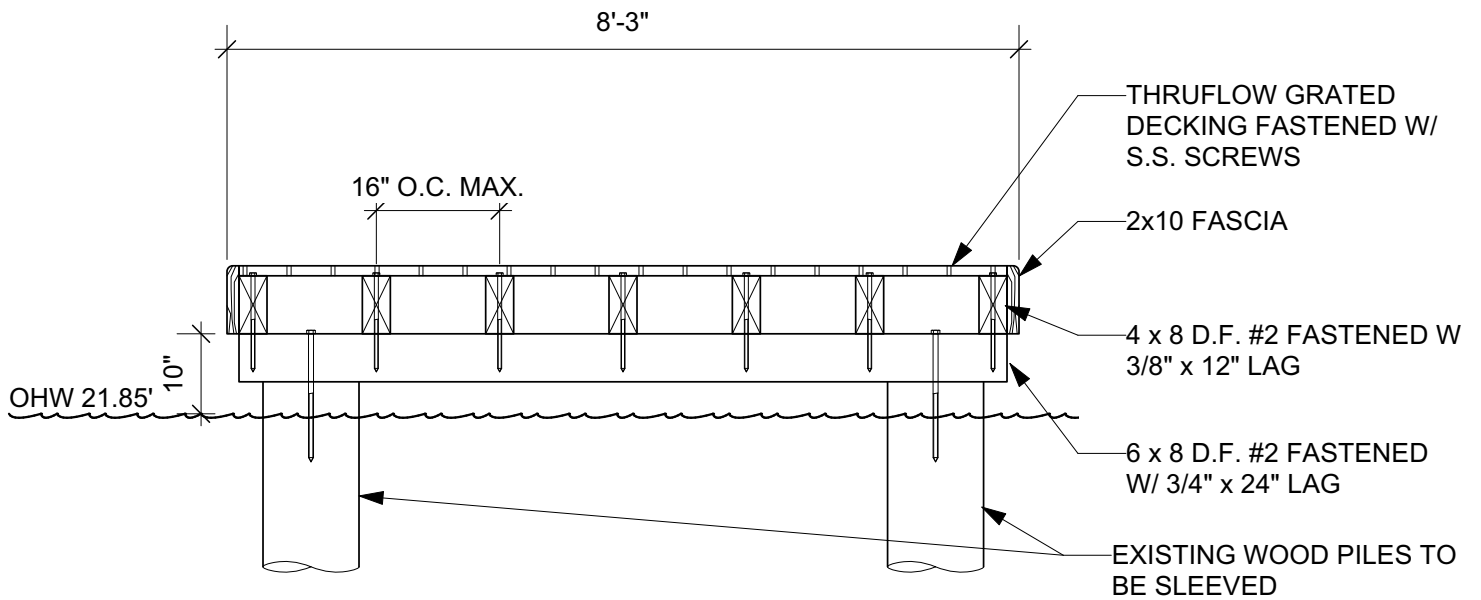
# ELEVATION

SCALE 1" = 20'-0"



**Reference:**  
**Applicant:** Thomas Thompson

**Proposed:** Repair Pier  
**Location:** Mercer Island, WA



## PIER SECTION - A (PROPOSED)

SCALE 1/2" = 1'-0"



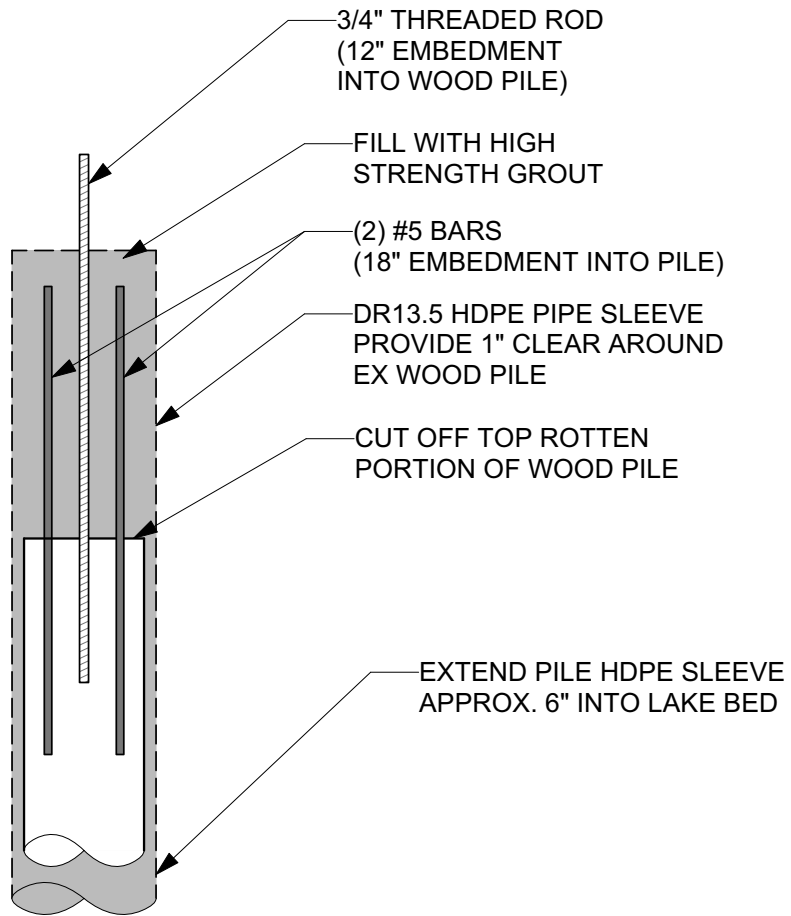
**Reference:**

**Applicant:** Thomas Thompson

**Proposed:** Repair Pier

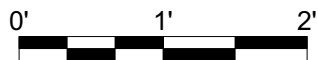
**Location:** Mercer Island, WA

**Sheet 5 of 6**    **Date:** 12/5/2024



## PILE SLEEVE DETAIL

SCALE 3/4" = 1'-0"



**Reference:**  
**Applicant:** Thomas Thompson

**Proposed:** Repair Pier  
**Location:** Mercer Island, WA

**Sheet 6 of 6**    **Date:** 12/5/2024